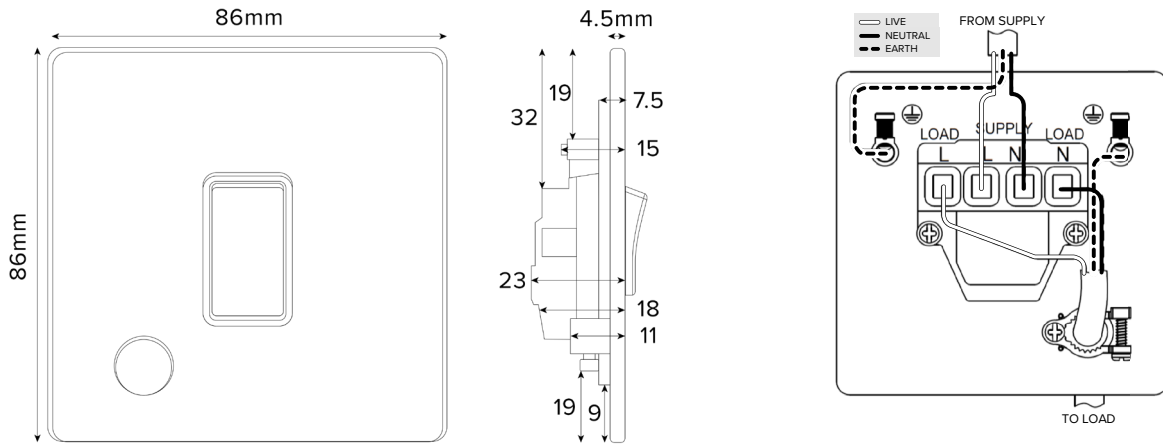


20A 1 Gang DP Switch Flex Outlet - Traditional Plate



TECHNICAL SPECIFICATION

| | |
|-------------------------------|--|
| Standard(s) | BS EN 60669-1 |
| Voltage Rating | 20 Amp, 250V [~] |
| Contact Gap | Normal Gap |
| Mounting Box Depth (Min) | 25mm |
| Terminal Capacity | 3 x 2.5mm ² , 3 x 4.0mm ² , 2 x 6.0mm ² (L&N) |
| Earth Terminal Capacity | 3 x 2.5mm ² , 2x 4.0mm ² , 1x 6.0mm ² (Earth) |
| Fixing Centres | 60.3mm |
| Size | 86mm x 86mm x 4.5mm (Plate thickness) |
| Product Class 1 | Face plate must be earthed |
| Ambient Operating Temperature | -5° to +40°C |
| Recommended Location | Internal Use Only |
| Maximum Installation Altitude | 2000m |
| IP Rating | IP2XD |
| Switched Poles | Double |
| Mains Frequency | 50hz - 60hz |
| Contact Gap Minimum | 3mm |