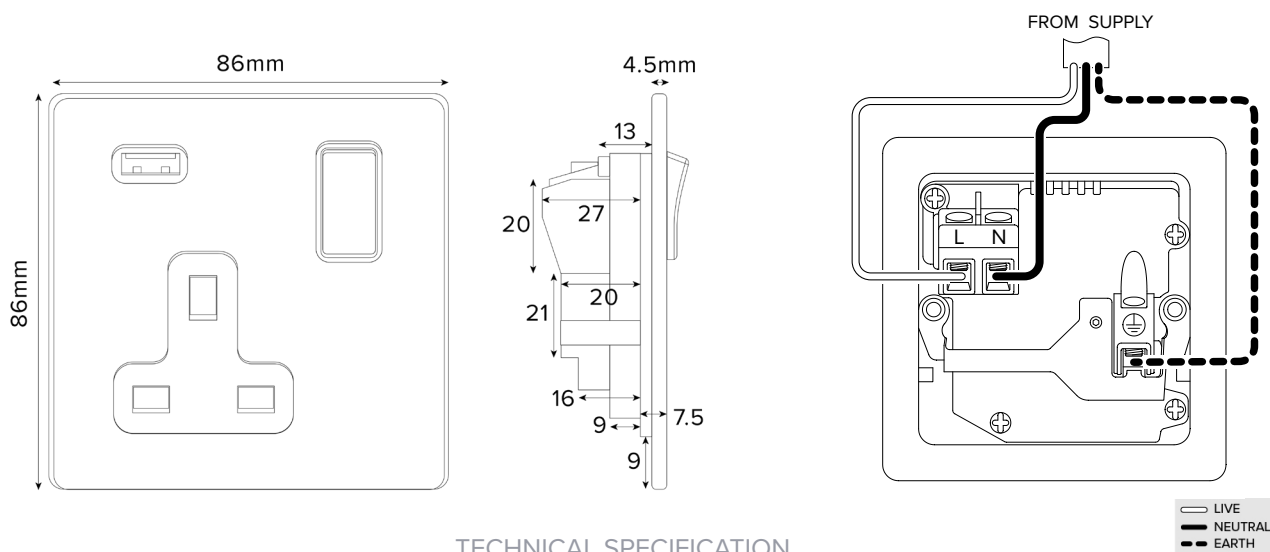


### 13A 1 Gang DP USB Socket (USB 2.1amp) - Traditional Plate



|                               |                                                                          |
|-------------------------------|--------------------------------------------------------------------------|
| Standard(s)                   | BS 1363-2, BS EN 62368-1, BS EN 62680-1-1                                |
| Voltage Rating                | 13 Amp, 250V <sup>~</sup>                                                |
| USB Amperage                  | 2.1 Amp                                                                  |
| Contact Gap                   | Normal Gap                                                               |
| Mounting Box Depth (Min)      | 35mm                                                                     |
| Terminal Capacity             | 3 x 2.5mm <sup>2</sup> , 3 x 4.0mm <sup>2</sup> , 2 x 6.0mm <sup>2</sup> |
| Earth Terminal Capacity       | 3 x 2.5mm <sup>2</sup> , 3 x 4.0mm <sup>2</sup> , 2 x 6.0mm <sup>2</sup> |
| Outlet Protection Shutter     | Yes                                                                      |
| Fixing Centres                | 60.3mm                                                                   |
| Size                          | 86mm x 86mm x 4.5mm (Plate thickness)                                    |
| Product Class 1               | Face plate must be earthed                                               |
| Ambient Operating Temperature | -5° to +40°C                                                             |
| Recommended Location          | Internal Use Only                                                        |
| Maximum Installation Altitude | 2000m                                                                    |
| IP Rating                     | IP2XD                                                                    |
| Switched Poles                | Double Pole                                                              |
| Mains Frequency               | 50hz - 60hz                                                              |
| Contact Gap Minimum           | 3mm                                                                      |